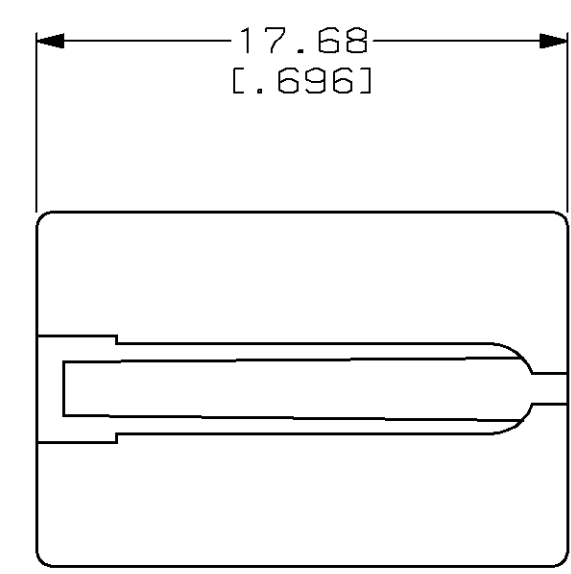
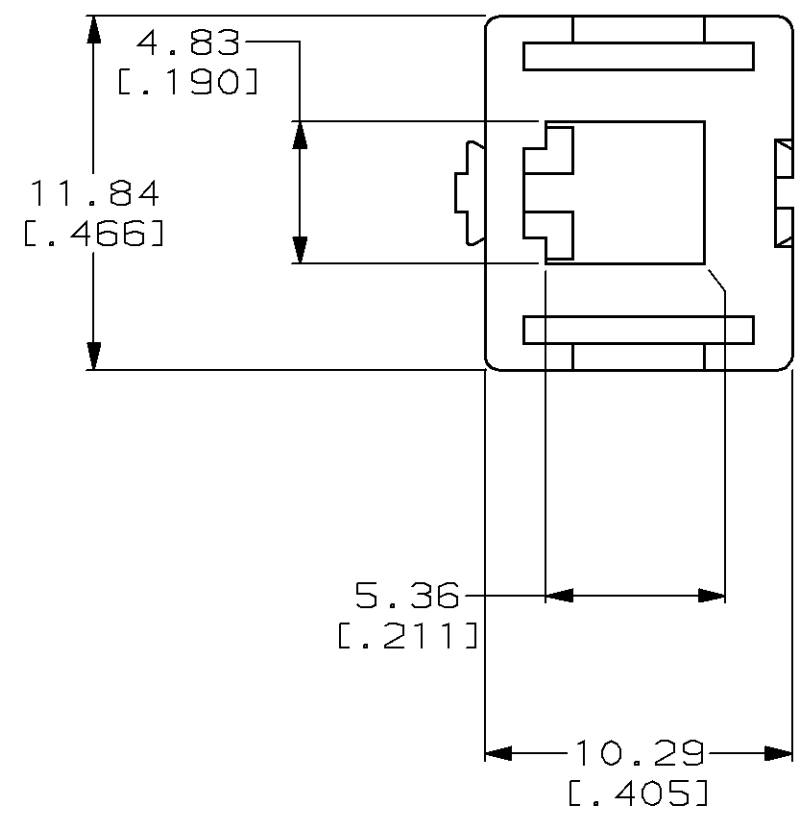
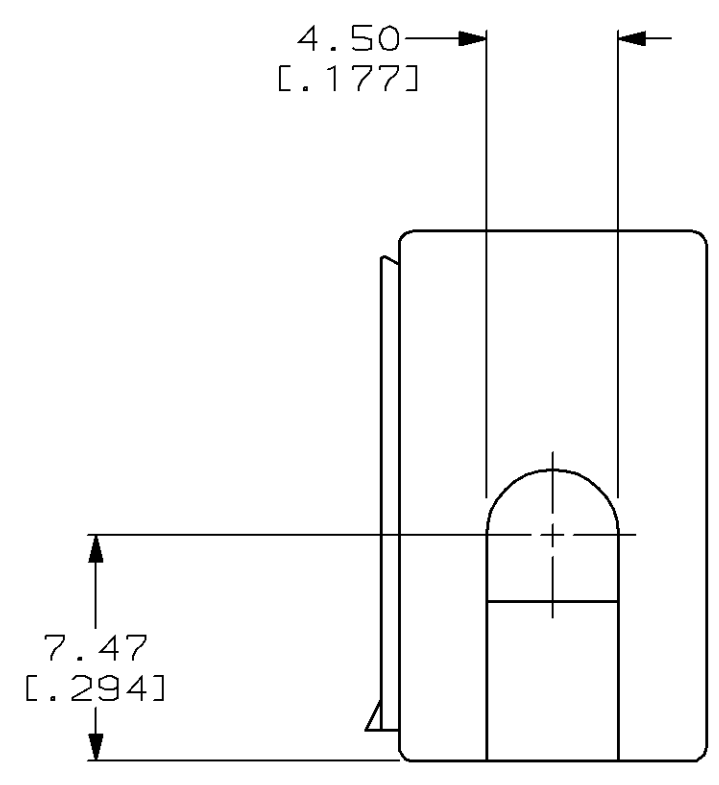


THIS DRAWING IS UNPUBLISHED. RELEASED FOR PUBLICATION, 19 .
 © COPYRIGHT 19 BY AMP INCORPORATED. ALL INTERNATIONAL RIGHTS RESERVED.

LOC	DIST	P	F	ZONE	LTR	DESCRIPTION	DATE	APPD
FT	60				0	RELEASED; NPR C91-76	1-18-92	SH
					A	REV PER EC 0320-68-97	06 MAR 97	MM



- △ MATERIAL: POLYCARBONATE MOLDING COMPOUND, BLACK.
- APPLICATION: USED TO MOUNT WIRE-TO-WIRE HOUSINGS BOTH IN THRU-PANEL AND HORIZONTAL TO PANEL MOUNTING APPLICATIONS.
 - DIMENSIONS MAXIMUM UNLESS OTHERWISE SPECIFIED.
 - REFER TO INSTRUCTION SHEET IS3277 FOR RECOMMENDED MOUNTING INSTRUCTIONS, HOLES AND HARDWARE.

DO NOT SCALE PRINT. UNLESS SPECIFIED DIMENSIONS IN mm [INCHES] TOLERANCES ON :		DR 1-20-92 S. MAYBERRY		557313-1	
2 PLC DEC ± _____		CHK		PART NO	
3 PLC DEC ± _____		APPD		AMP Incorporated Harrisburg, PA 17105-3608	
ANGLES ± _____		APPD		NAME	
MATERIAL		PRODUCT SPEC		MOUNTING ADAPTER, WTW, AMPINNERGY™	
△		108-1373		SIZE	
FINISH		APPLICATION SPEC		CAGE CODE	
△		114-6051		00779	
WEIGHT _____		SCALE		DRAWING NO	
		4:1		557313	
				SHEET 1 OF 1	